

# MODEL ER26500M

International size reference:UM2/R14/C

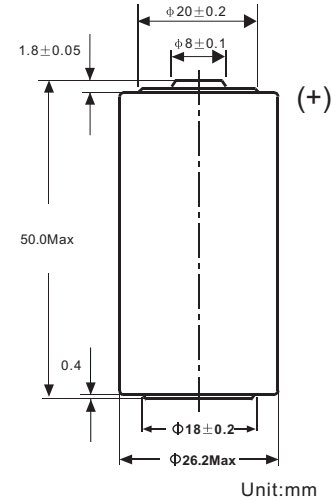


## Green Energy

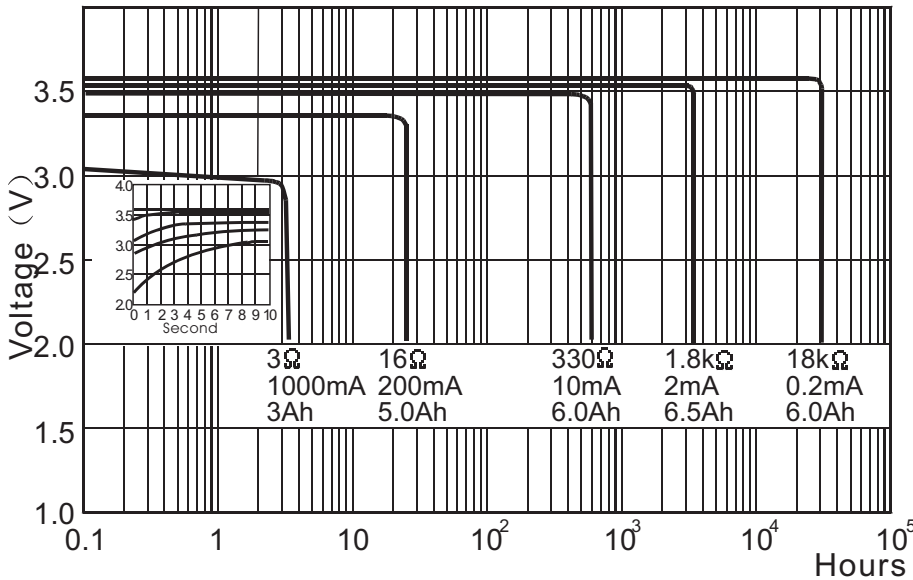
Power Solution Expert

### Technical data

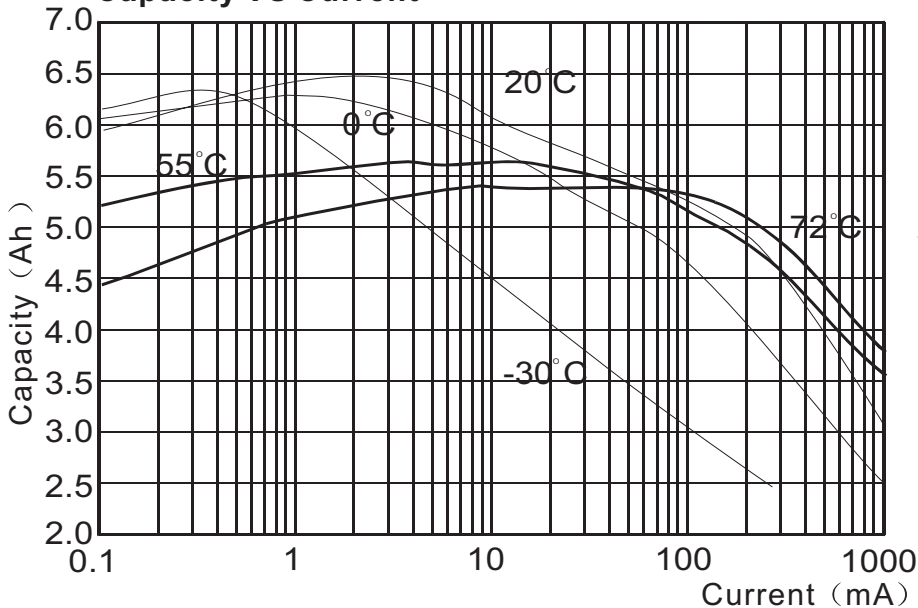
- Nominal capacity(at 2 mA +23°C 2V cut off) 6.5Ah
- Rated voltage 3.6V
- Maximum recommended continuous current 1000mA
- Maximum pulse current capability 1500mA
- Operating temperature range -55°C~+85°C
- Weight Approx 55g
- Storage temperature (recommended) +30°C



### Discharge performance (25°C)



### Capacity VS Current



### Main applications

- Utility metering
- Automatic meter reading
- Tollgate systems
- Alarms and security devices
- Memory back-up
- Tracking systems
- Automotive electronics
- Professional electronics

### Voltage VS Temperature

