

# MODEL ER17335

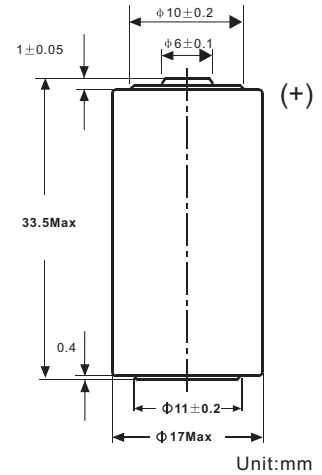
International size reference:2/3A



**Green Energy**  
Power Solution Expert

## Technical data

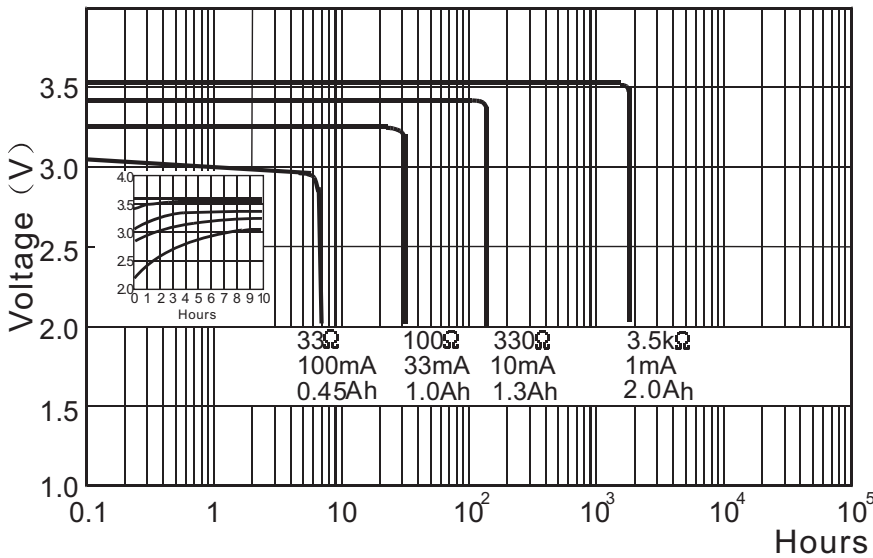
- Nominal capacity(at1mA +23°C 2V cut off) 2.0Ah
- Rated voltage 3.6V
- Maximum recommended continuous current 100mA
- Maximum pulse current capability 200mA
- Operating temperature range -55°C~+85°C
- Weight Approx 18g
- Storage temperature (recommended) +30°C



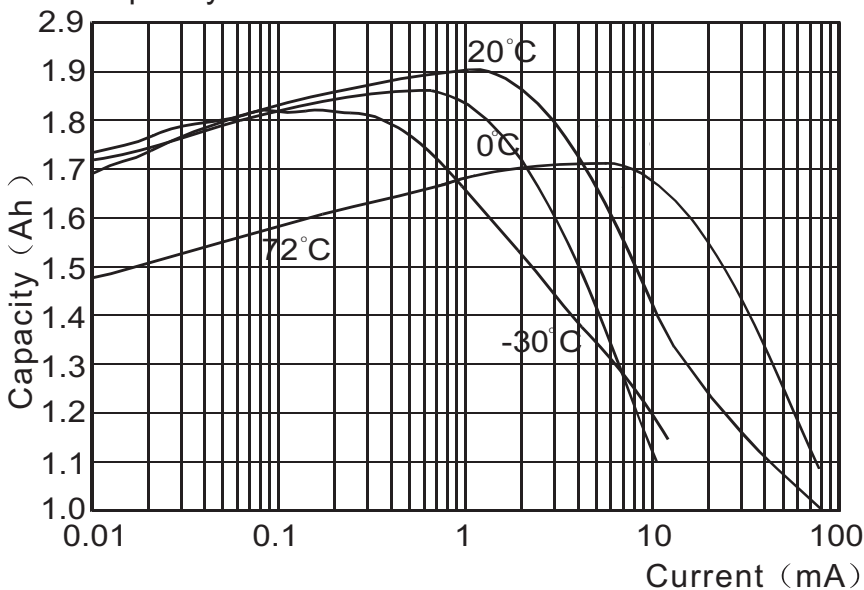
## Main applications

- Utility metering
- Automatic meter reading
- Tollgate systems
- Alarms and security devices
- Memory back-up
- Tracking systems
- Automotive electronics
- Professional electronics

Discharge performance (25°C)



Capacity VS Current



Voltage VS Temperature

